

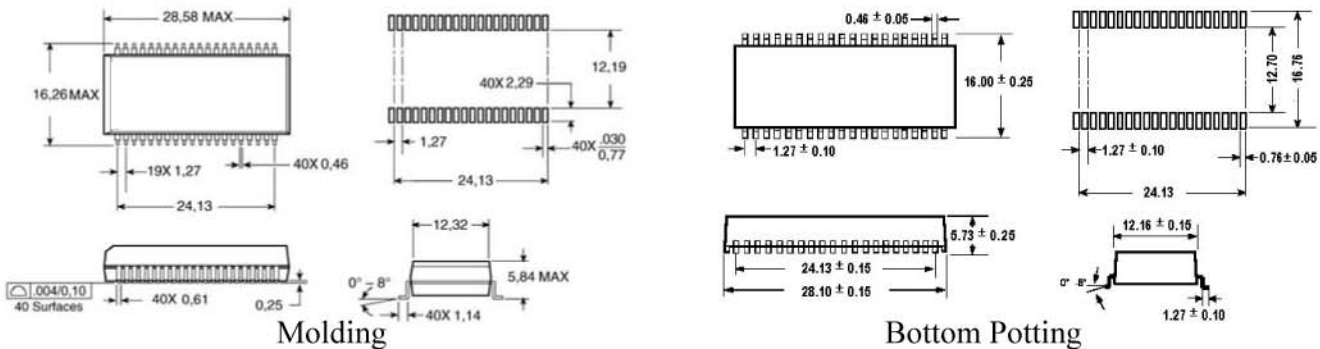
FEATURES

- Symmetrical TX and RX channels for Auto MDI/MDIX capability
- Compliant with IEEE 802.3u and ANSI X3.263 standards including 350 μ H OCL with 8 mA bias
- Designed for reflow soldering at temperatures up to 235°C

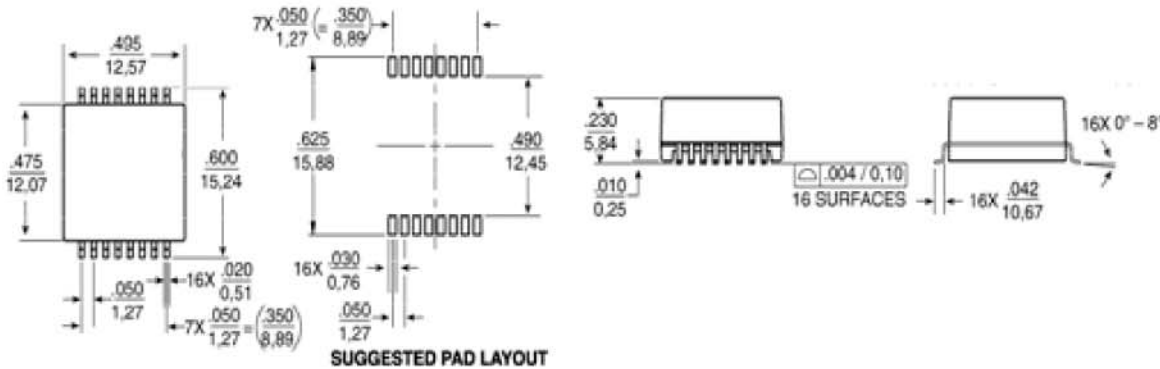


ELECTRICAL SPECIFICATIONS @25°C-Operating temperature -40°C TO +85°C												
Part Number	Insertion Loss (dB MAX)	Return Loss (dB MIN)				Crosstalk (dB TYP)				Differential to Common Mode Rejection (dB MIN)		Hipot (Vrms MIN) @60Hz
		.1-100 MHz	2-30 MHz	40 MHz	50 MHz	60-80 MHz	1 MHz	30 MHz	60 MHz	100 MHz	1-60 MHz	
ST-81F20	-1.0	-18	-14.4	-13.1	-12	-65	-50	-40	-35	-40	-35	1500
ST-81F21	-1.0	-18	-14.4	-13.1	-12	-65	-50	-40	-35	-40	-35	1500
ST-81F22	-1.0	-18	-14.4	-13.1	-12	-55	-45	-40	-33	-37	-25	1500
ST-81F22C	-1.4	-18	-14.4	-13.1	-12	-55	-45	-40	-33	-37	-25	1500
ST-81F20C	-1.0	-16.5	-16	-15.5	-12	-60	-43	-38	-33	-43	-27	1500
ST-81F23	-1.0	-16	-13.5	-11.5	-10	-	-	-	-	-40	-35	1650
ST-81F24	-1.4	-16	-10	-10	-10	-35	-35	-30	-25	-	-	1500

Mechanicals



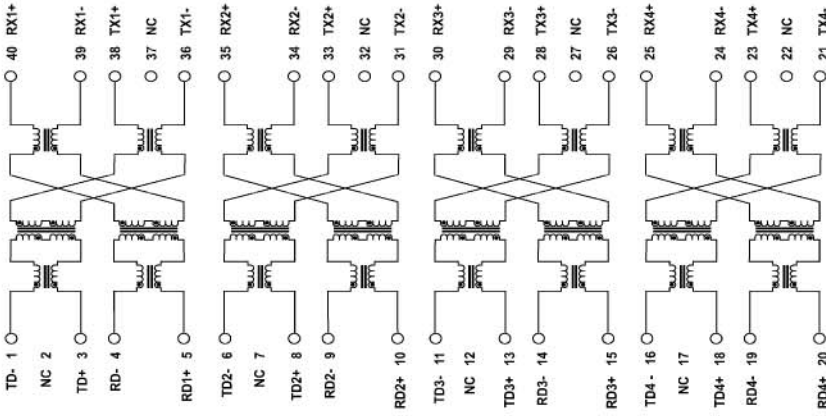
ST- 81F21



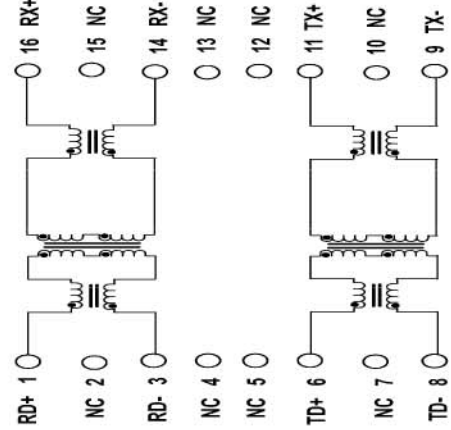
UNIT: mm Unless otherwise specified, all tolerances are ± 0.25

Schematics

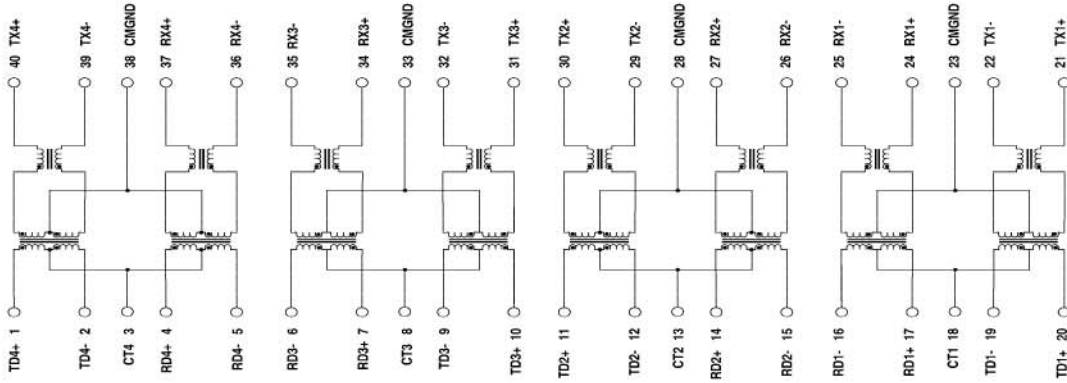
ST- 81F20/ST- 81F20C



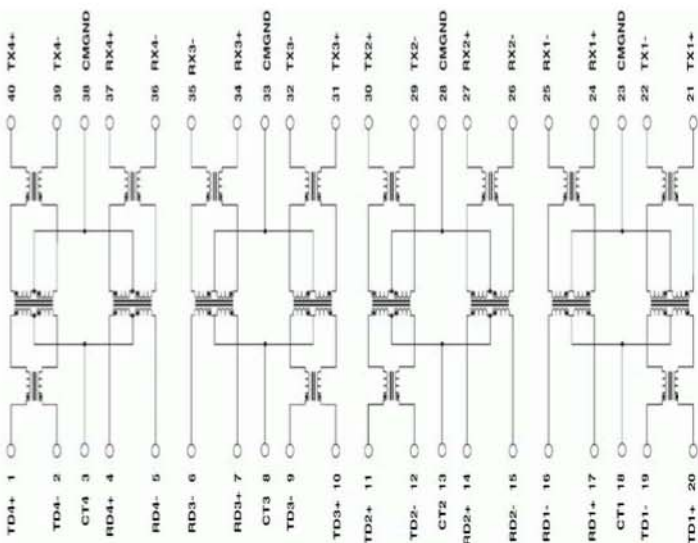
ST- 81F21



ST- 81F22/ST- 81F22C



ST- 81F23



ST- 81F24

